

- CV** Check Valves
- SH** Shuttle Valves
- LM** Load/Motor Controls
- FC** Flow Controls
- PC** Pressure Controls
- LE** Logic Elements
- DC** Directional Controls
- MV** Manual Valves
- SV** Solenoid Valves
- PV** Proportional Valves
- CE** Coils & Electronics
- CB** Cartridg Bodies
- BC** Bodies & Cavities
- TD** Technical Data

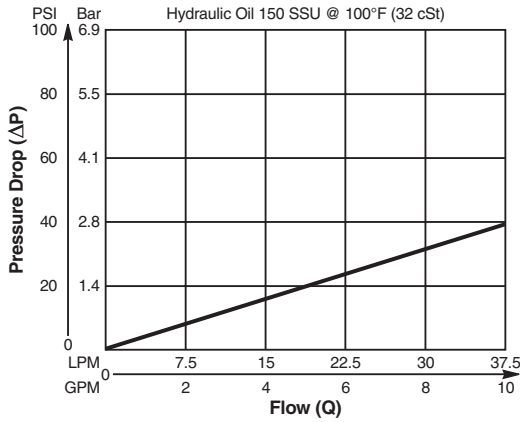
**Valve/Cavity Compatibility**

For additional information see Technical Tips on pages BC1-BC2.

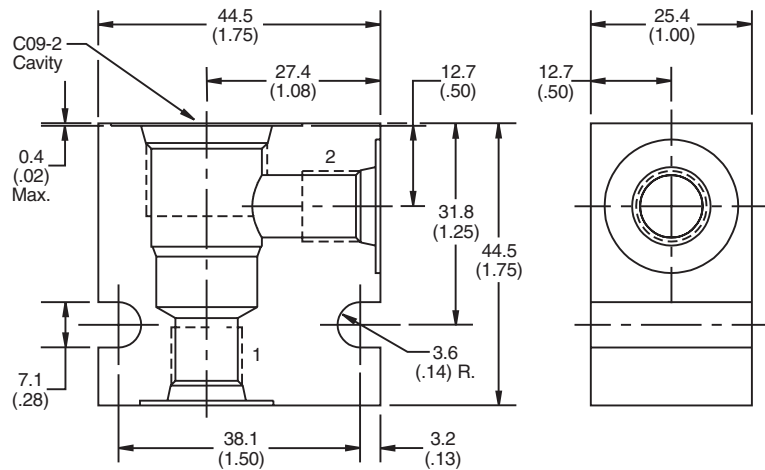
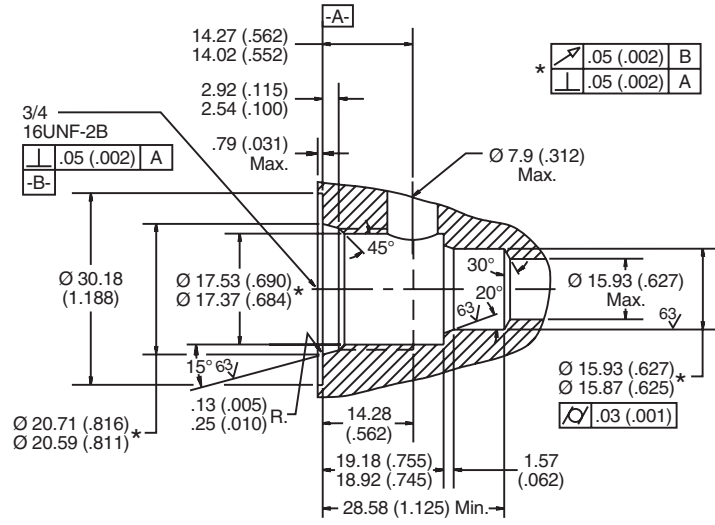
CAVITY	VALVE				
	Winner's Circle	Parker	Waterman	FPS	CEC
Winner's Circle					
Parker		X	X		
Waterman		X	X		
FPS					
CEC					

**Performance Curve**

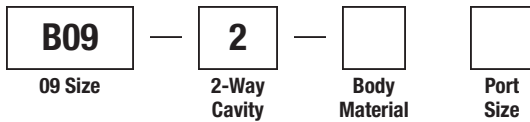
**Pressure Drop vs. Flow**



**Dimensions** Millimeters (Inches)



**Ordering Information**



Code	Body Material
Omit	Steel
A	Aluminum

Code	Port Size
6T	SAE - 6

**Form Tool:** Rougher None  
 Finisher FT09-2  
**Weight:** 11 kg (.25 lbs.)

*\*Please be advised that this is a non-core line body.  
 Additional lead-time and/or pricing requirements may exist when ordering.*